

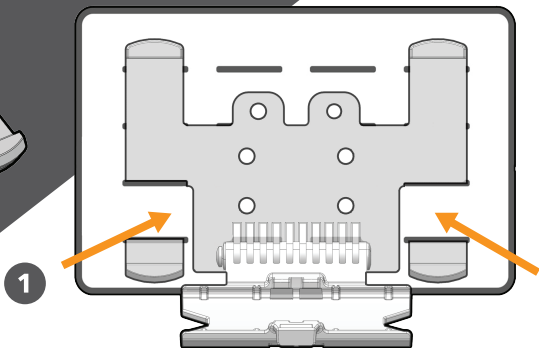
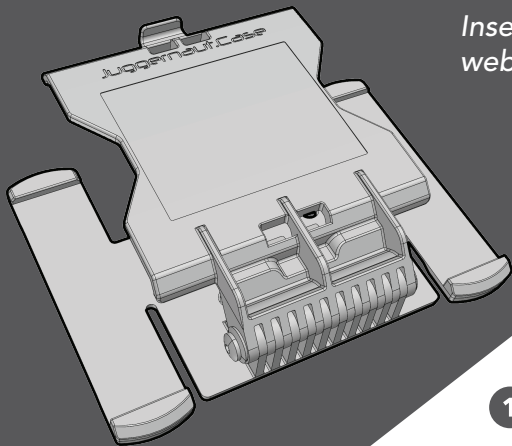


Juggernaut  
Case

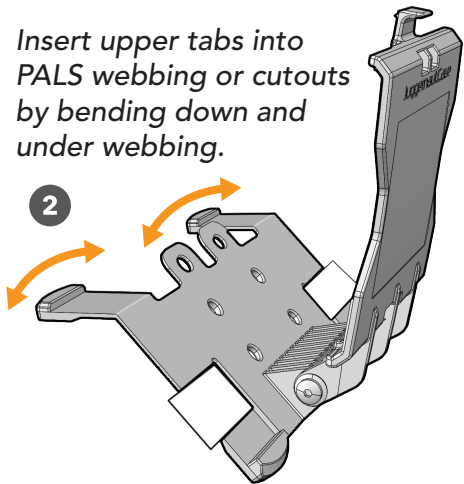
PROTECT - MOUNT - CONNECT

## Armor.Mount Installation

*Insert both lower tabs into PALS webbing or cutouts first*



Insert upper tabs into PALS webbing or cutouts by bending down and under webbing.



2

3 Upper tabs should look like this when inserted properly.

\*\*Tip - the tabs will not break, bend as far as you need to.

4 Finish by inserting the retainer piece above mount in center slots.

